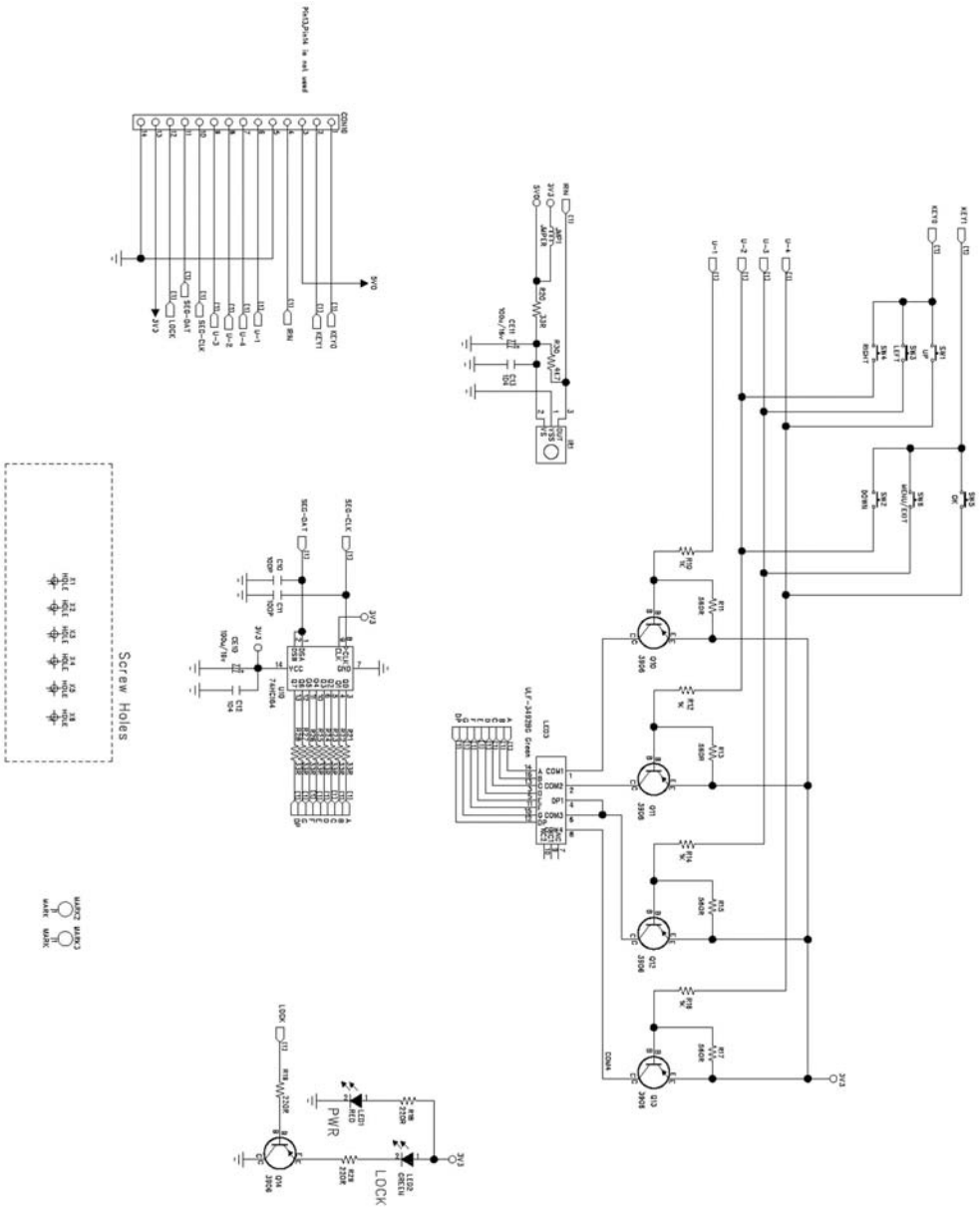


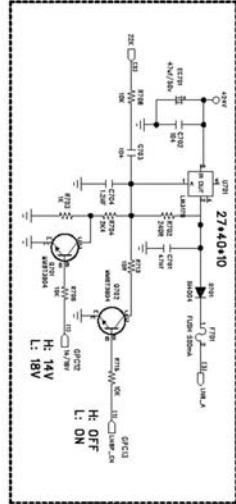
# วงจรรีชีฟเวอร์

## FRONT

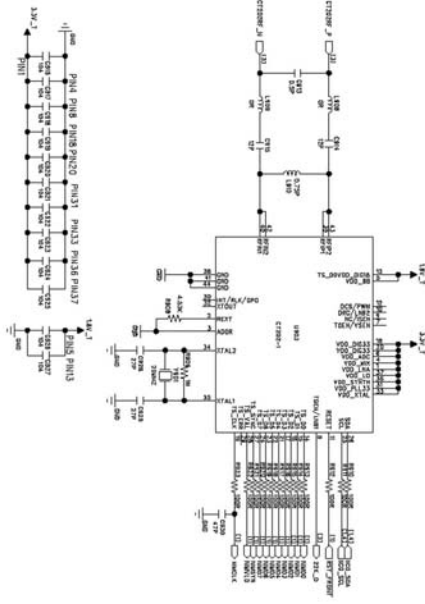
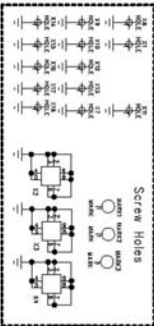
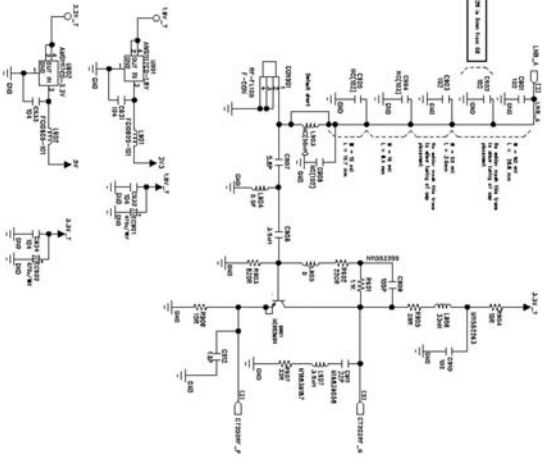
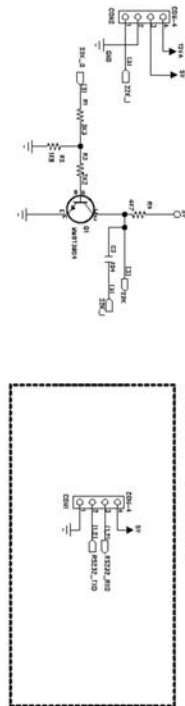


## TUNER\_LNB\_RS232

LNB Circuit

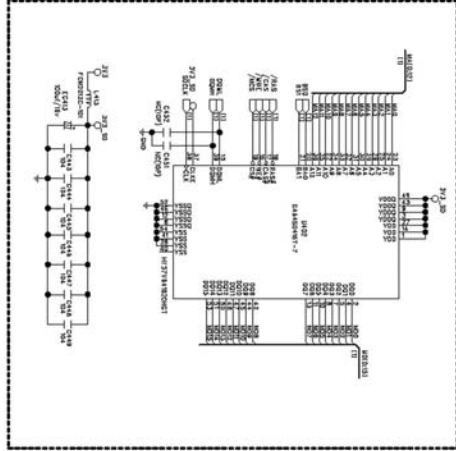


RS232 Circuit

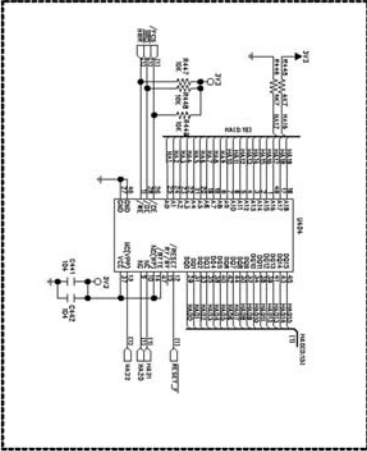


## SDRAM\_FLASH

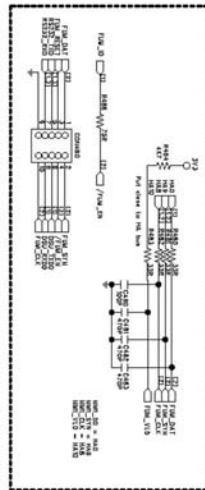
SDRAM



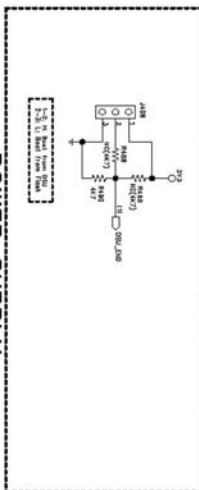
FLASH



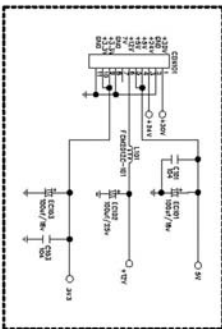
FUM IF



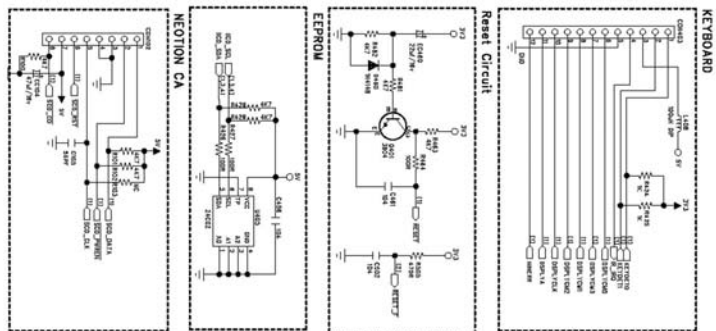
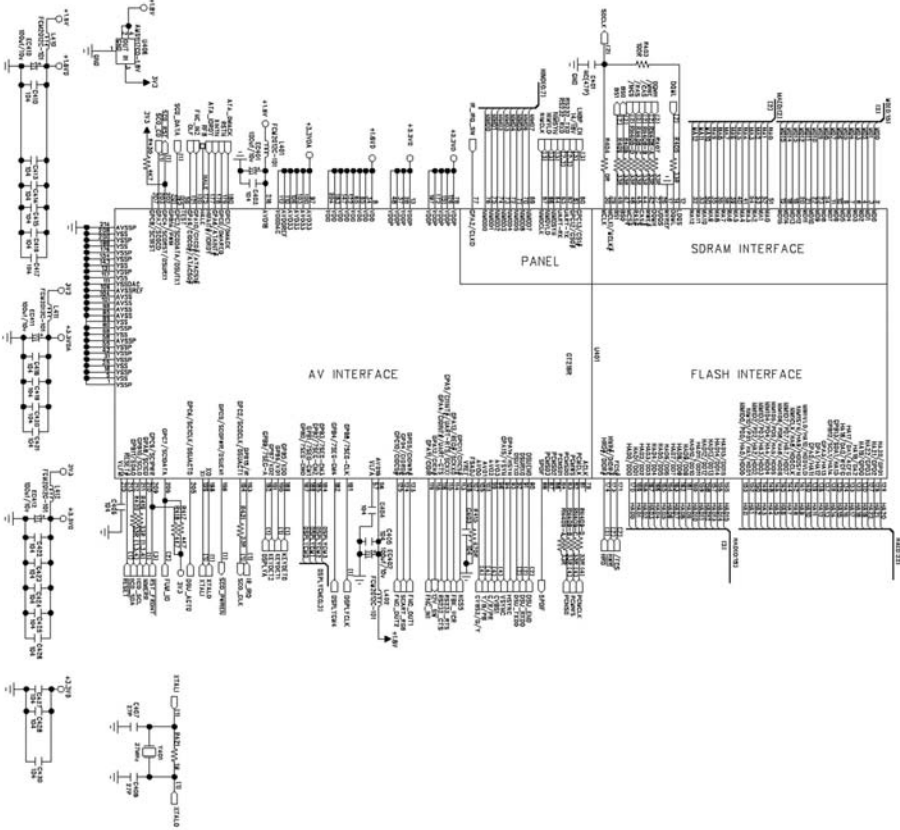
DSUENO



POWER SUPPLY



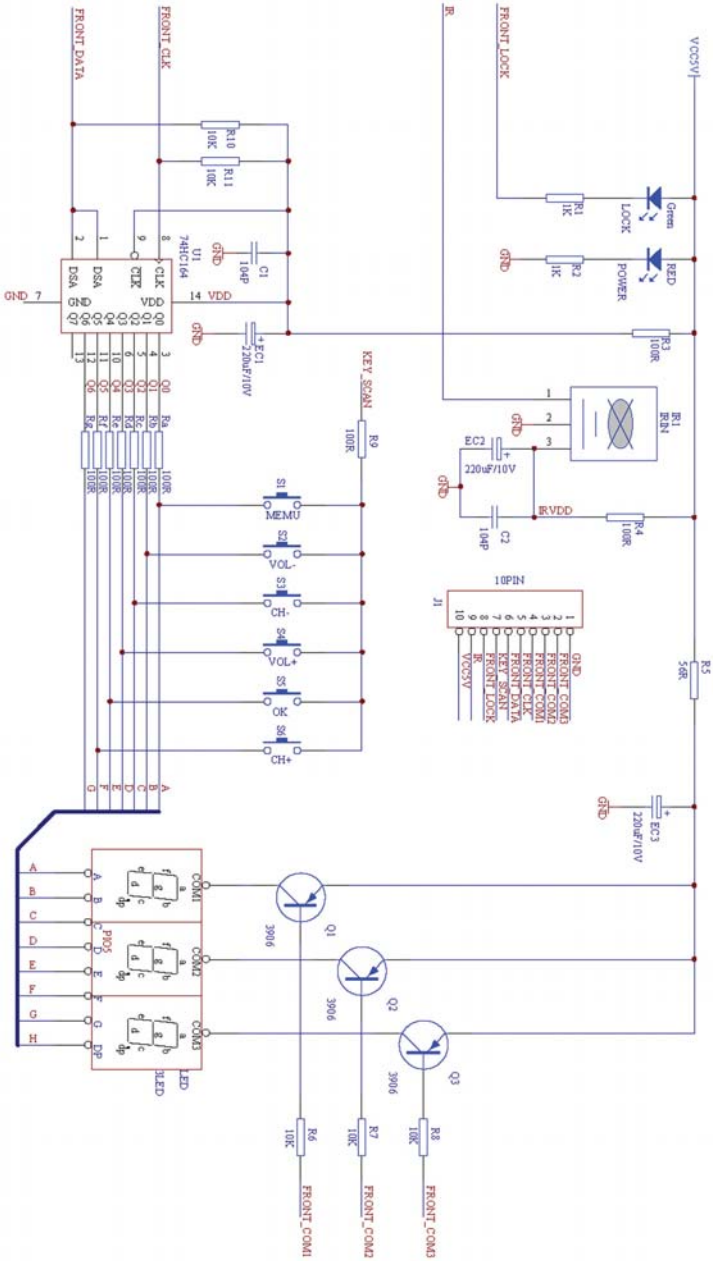
## MCU





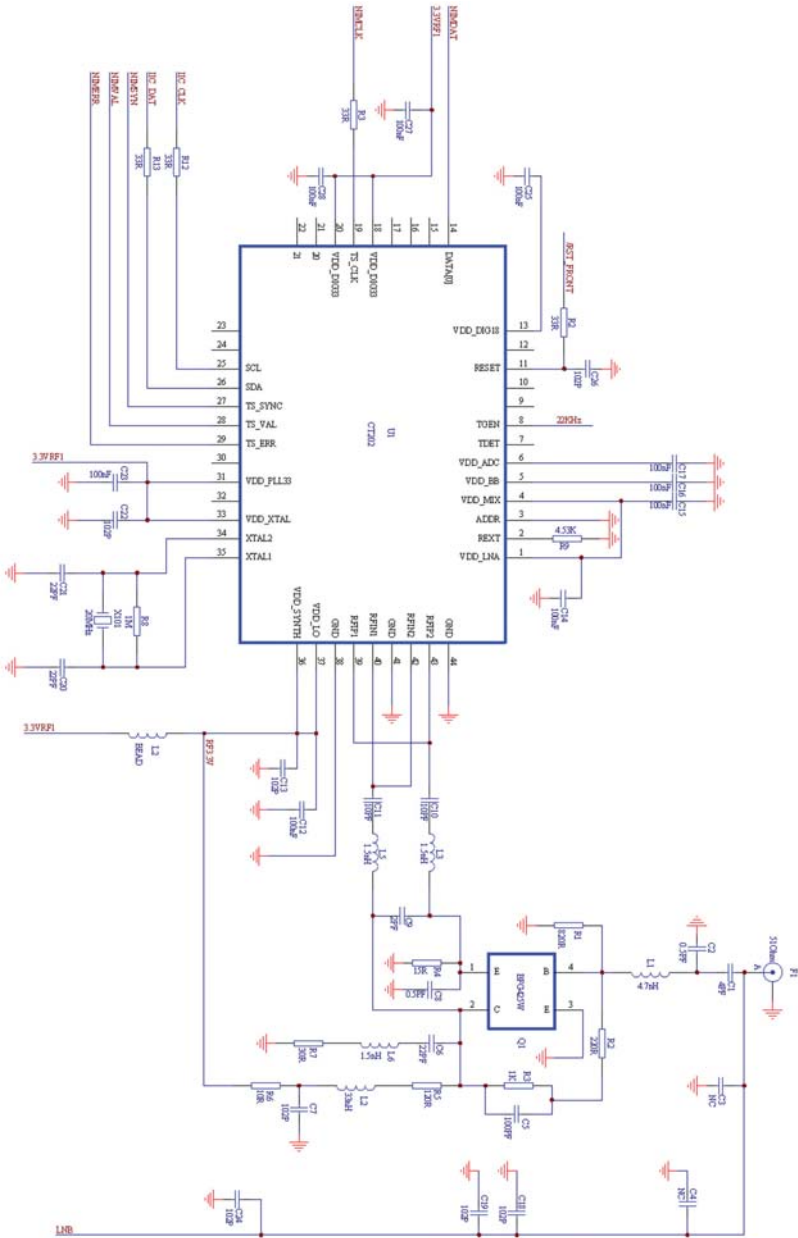


## FRONT



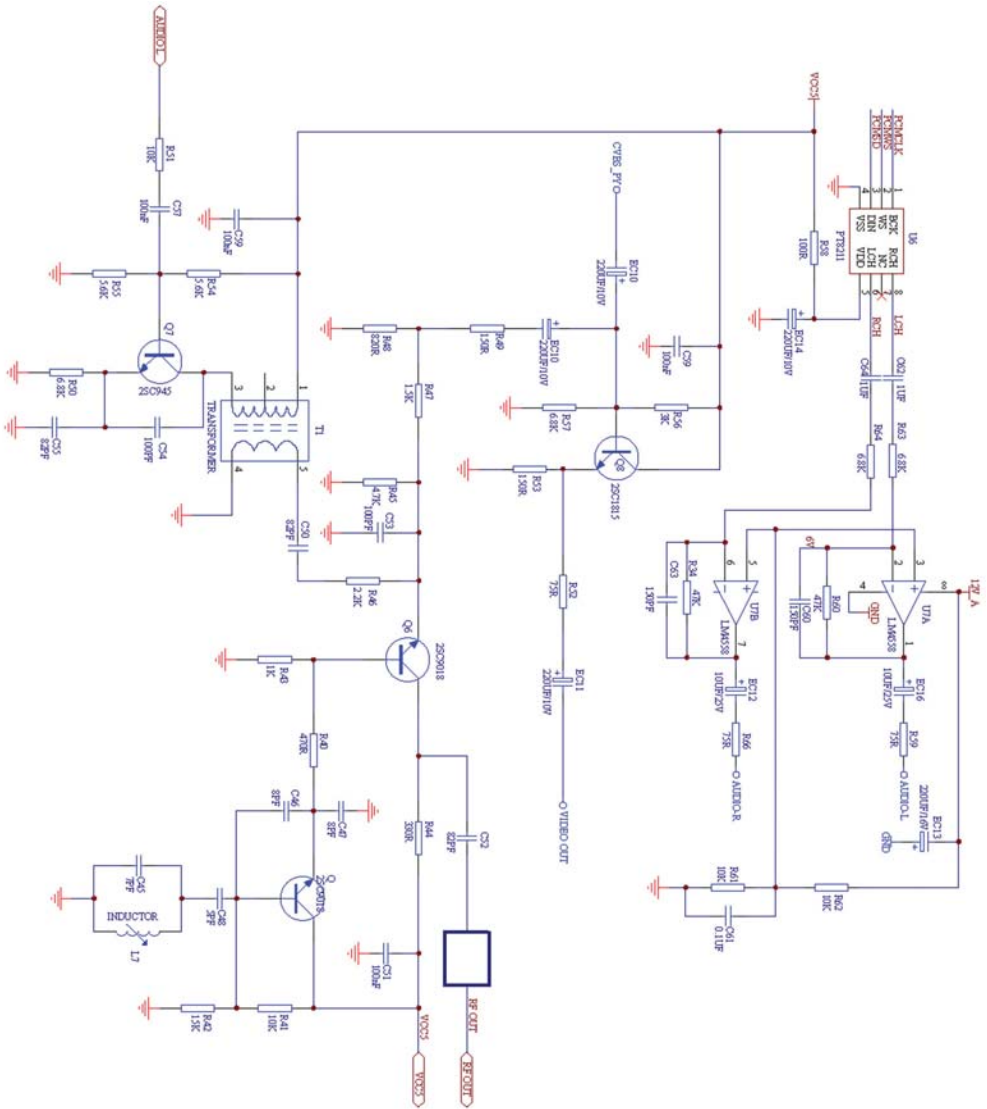


**TUNER**

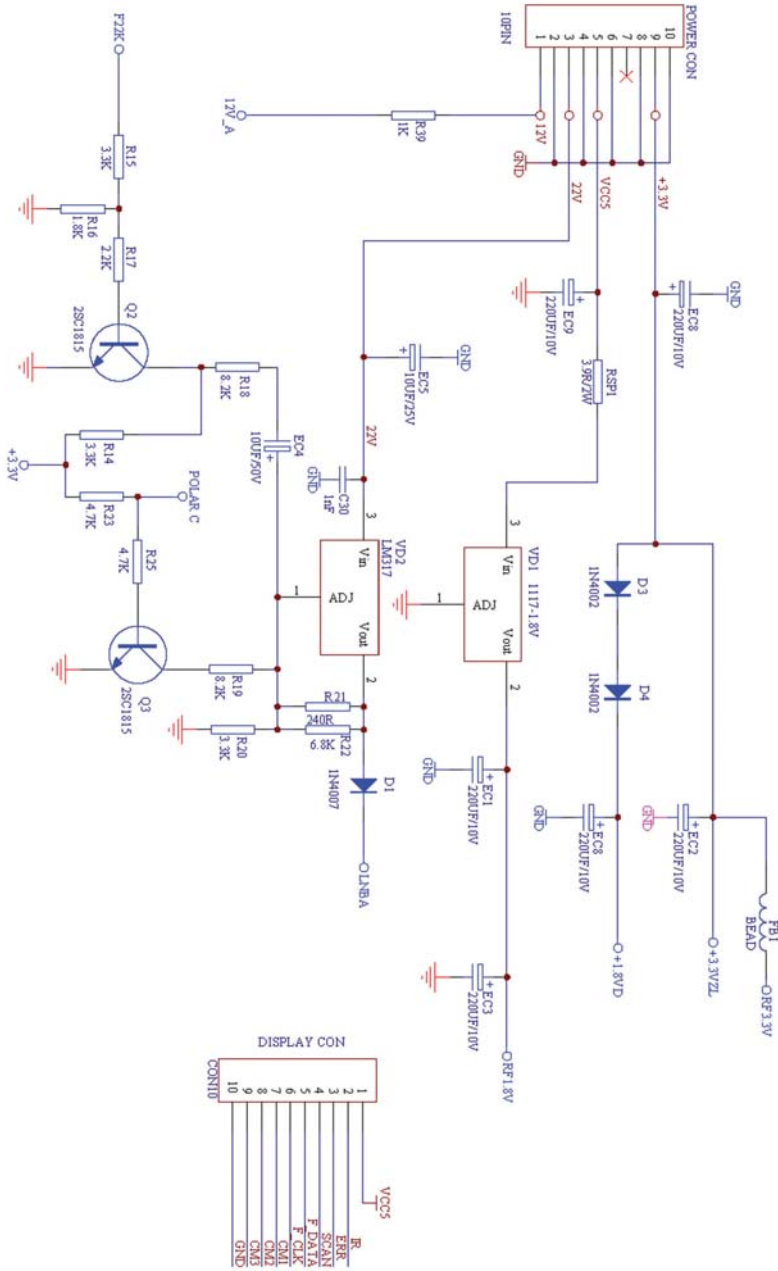




**VIDEO & AUDIO**



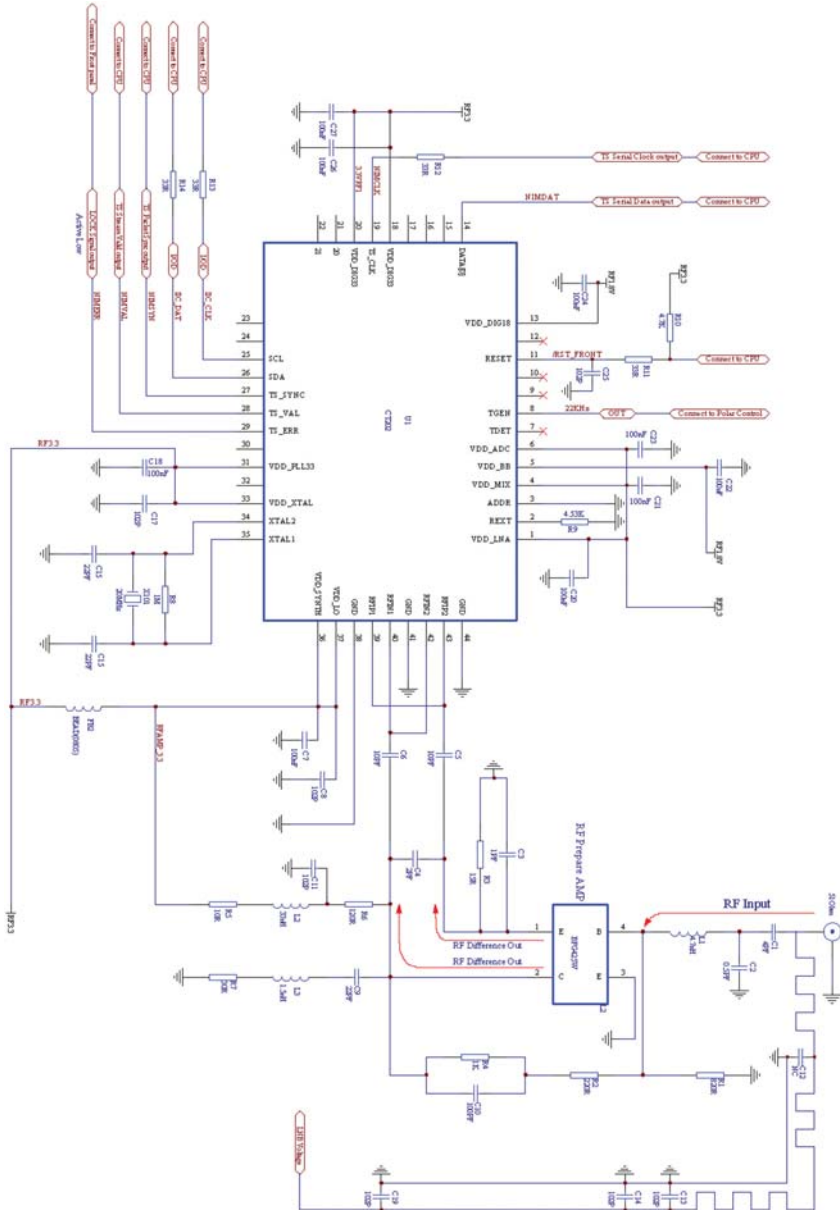
# POWER & DISPLAY



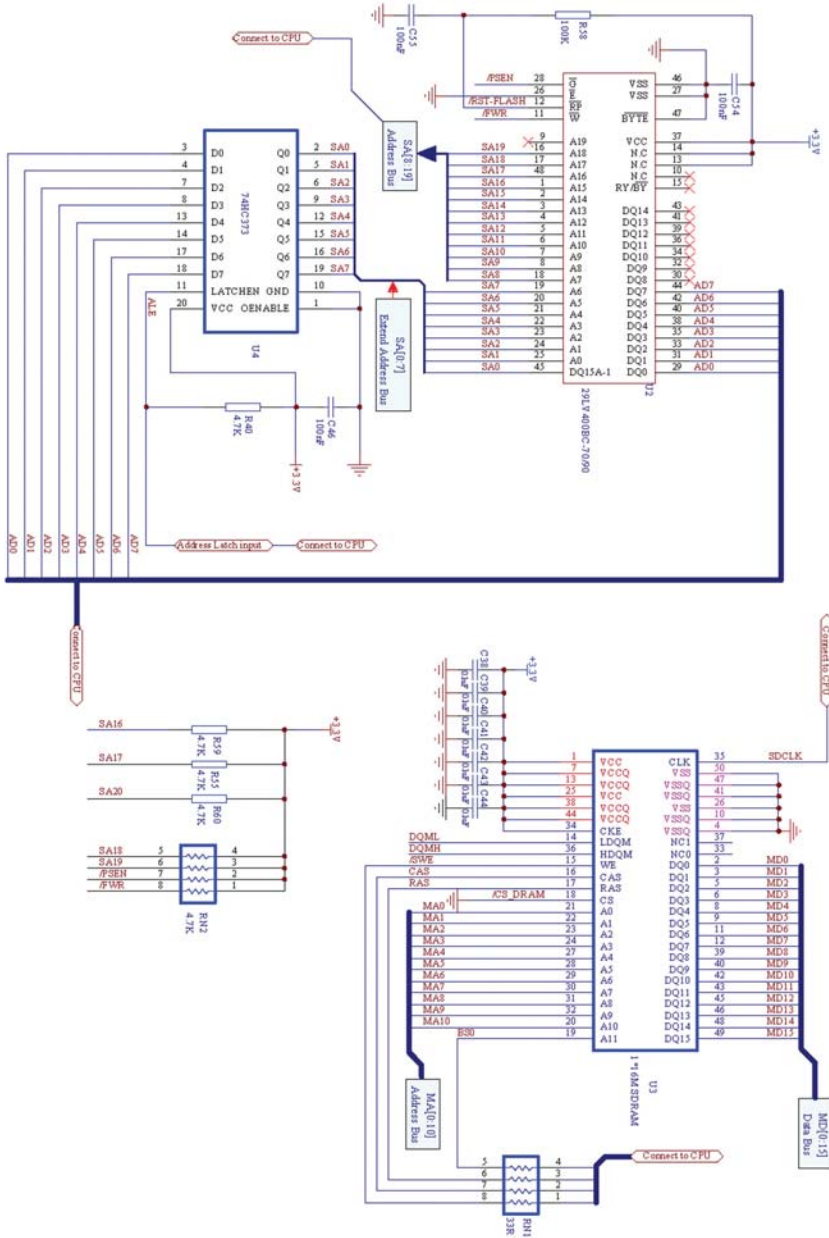




## TUNER

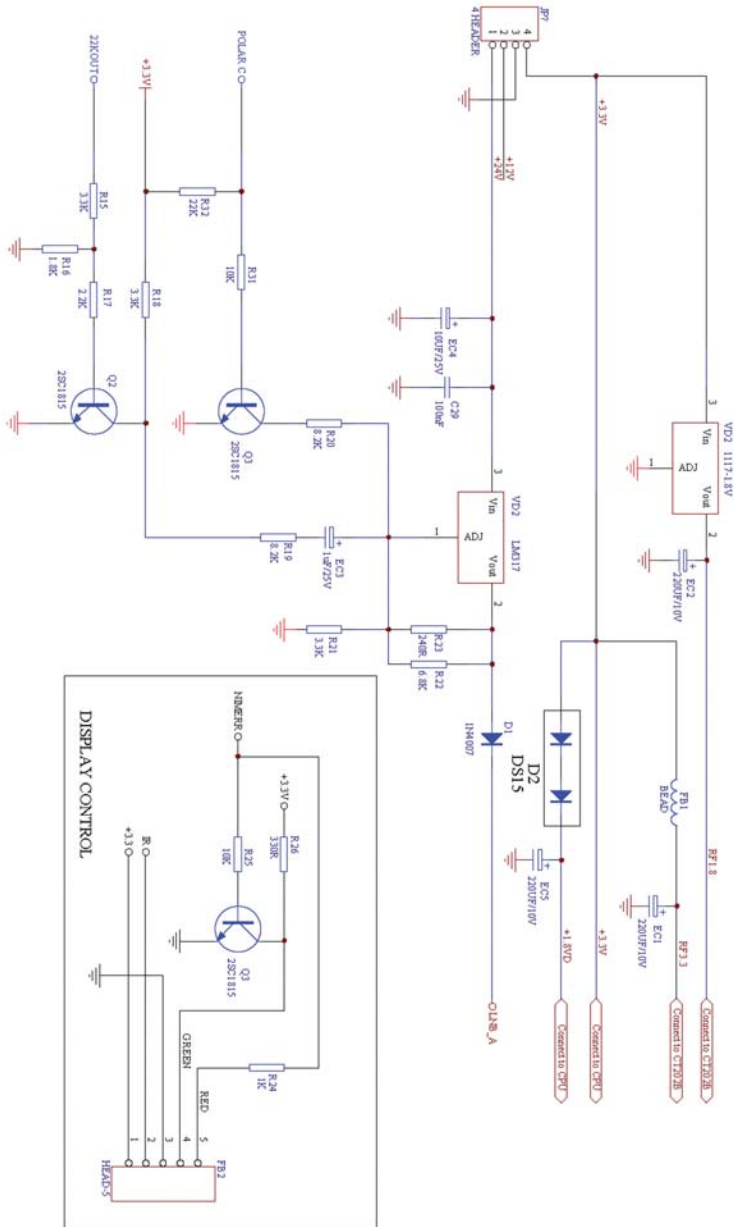


## SDRAM & FLASH

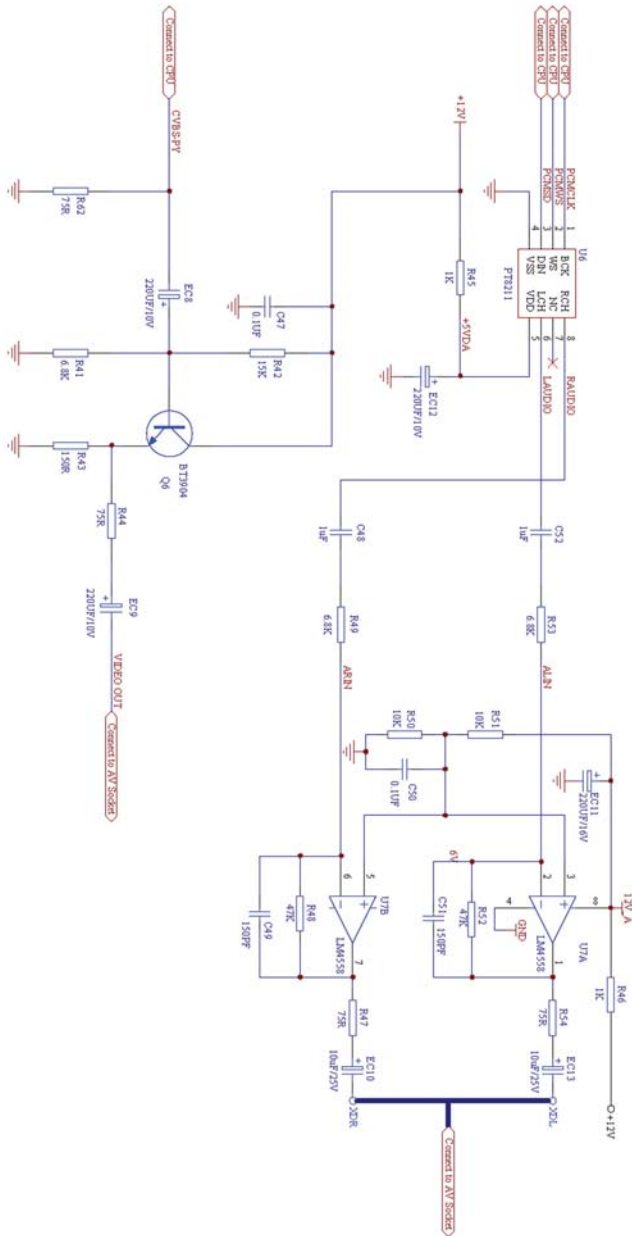




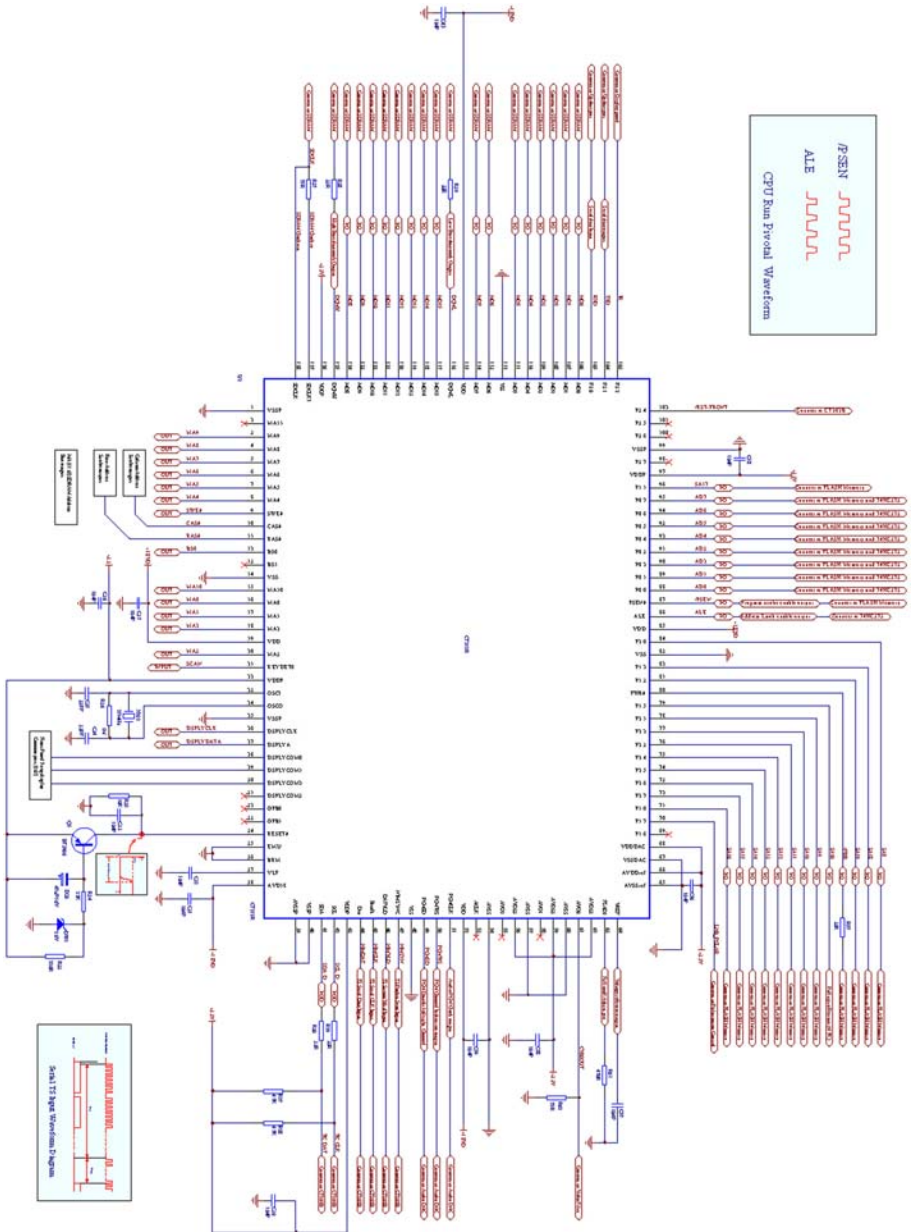
## POWER & DISPLAY



# VIDEO & AUDIO



## CPU



## SMPS

